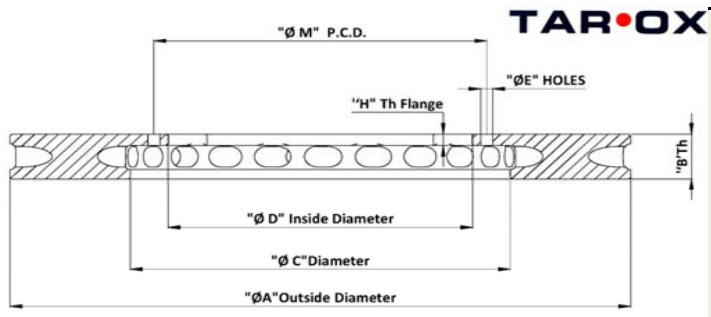


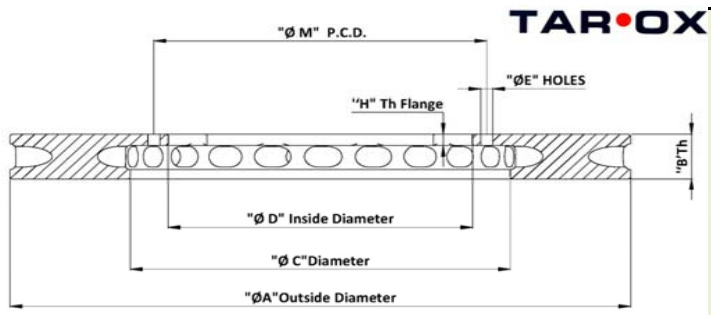
TAROX

PART NUMBER	"Ø A" Outside Diameter	"B" Th	"Ø C" Diameter	"Ø D" Inside Diameter	"H" Th Flange	"Ø M" P.C.D.	"Ø E" HOLES	N° HOLES	F Max Pad Depth	AIR GAP	Fixing type
C25421AX	254	21.00	155.00	125.50	5.50	139.70	6.40	6	50	10	Bolted
C25620AX	256	20.00	147.00	115.50	5.50	132.00	6.40	8	55	9	Bolted
C25721AX	257	21.00	155.00	125.50	5.50	139.70	6.40	6	51	10	Bolted
C26020AX	260	20.00	155.00	125.50	5.50	139.50	6.40	6	53	9	Bolted
C26025AX	260	25.40	155.00	125.50	5.00	139.70	6.40	6	53	15	Bolted
C26220AX	262	20.00	158.00	130.00	5.50	145.00	6.40	8	52	9	Bolted
C26318AX	263	18.00	174.50	136.00	4.50	152.00	6.40	8	44	9	Bolted
C26421AX	264	21.00	155.00	125.50	5.50	139.70	6.40	6	55	10	Bolted
C26517AX	265	17.00	162.50	123.00	5.00	139.70	6.40	8	51	7	Bolted
C26716AX	267	16.00	180.50	145.00	4.50	162.00	6.40	8	43	7	Bolted
C26716BX	267	16.00	178.00	145.00	4.50	162.00	6.40	8	45	7	Bolted
C26718AX	267	18.00	172.50	140.00	5.50	158.00	6.40	8	47	7	Bolted
C26720AX	267	20.00	172.50	138.00	5.00	152.00	6.40	8	47	10	Bolted
C26721AX	267	21.00	157.00	125.80	5.50	139.70	6.40	6	55	10	Bolted
C26721BX	267	21.00	155.00	125.50	5.50	139.70	6.40	6	56	10	Bolted
C26725AX	267	25.40	180.00	123.00	5.00	139.70	6.40	6	44	15	Bolted
C26728AX	267	28.00	156.50	123.00	5.50	139.70	6.40	6	55	17	Bolted
C27725AX	277	25.40	174.00	141.00	5.00	158.80	6.40	8	52	15	Bolted
C27816AX	278	16.00	187.50	156.00	4.50	176.00	8.45	8	45	7	Bolted
C27816BX	278	16.00	198.00	158.00	4.50	181.50	9.50	8	40	7	Bolted
C28017AX	280	17.00	191.40	146.50	4.50	171.40	9.50	8	44	8	Bolted
C28017BX	280	17.00	193.50	159.00	4.50	176.80	6.50	8	43	8	Bolted
C28018AX	280	18.00	203.00	176.00	5.50	190.50	6.40	8	39	7	Bolted



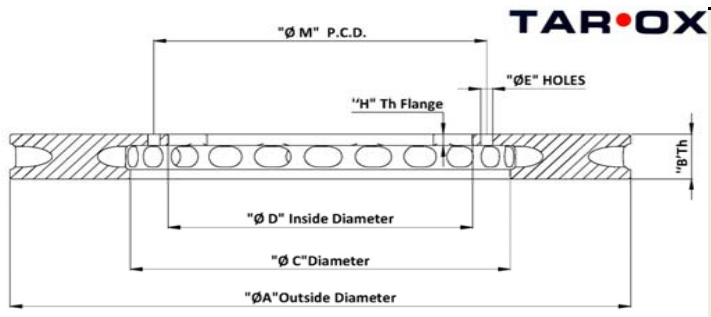
TAROX

PART NUMBER	"Ø A" Outside Diameter	"B" Th	"Ø C" Diameter	"Ø D" Inside Diameter	"H" Th Flange	"Ø M" P.C.D.	"Ø E" HOLES	N° HOLES	F Max Pad Depth	AIR GAP	Fixing type
C28020AX	280	20.00	192.00	154.00	5.00	176.80	9.50	8	44	10	Bolted
C28021AX	280	21.00	192.00	159.00	5.00	176.80	6.40	8	44	11	Bolted
C28022AX	280	22.00	180.30	152.00	4.50	165.00	6.40	8	50	13	Bolted
C28023AX	280	23.00	173.50	141.00	5.00	158.80	6.40	8	53	13	Bolted
C28023BX	280	23.00	192.00	159.00	5.00	176.80	6.40	8	44	13	Bolted
C28024AX	280	24.00	192.00	159.30	5.00	176.80	6.40	8	44	14	Bolted
C28024BX	280	24.00	174.00	141.00	5.00	158.80	6.40	8	53	14	Bolted
C28025AX	280	25.40	174.00	141.00	5.00	158.80	6.40	8	53	15	Bolted
C28025BX	280	25.40	192.00	159.30	5.00	176.80	6.40	8	44	15	Bolted
C28025CX	280	25.40	192.00	154.00	5.00	176.80	9.50	8	44	15	Bolted
C28025DX	280	25.40	192.00	154.00	5.00	176.80	8.00	8	44	15	Bolted
C28025EX	280	25.40	197.00	164.00	5.00	177.80	6.40	8	42	15	Bolted
C28025FX	280	25.40	197.00	164.00	6.00	177.80	6.40	10	42	13	Bolted
C28025GX	285	25.40	190.00	141.00	4.50	158.80	6.40	8	48	16	Bolted
C28525AX	285	25.40	190.00	141.00	4.50	158.80	6.40	8	48	16	Bolted
C28525BX	285	25.40	197.00	164.00	5.00	177.80	6.40	12	44	15	Bolted
C28528AX	285	28.00	182.50	141.00	6.30	158.80	6.40	8	51	15	Bolted
C28528BX	285	28.00	190.50	164.00	6.00	177.80	6.40	12	47	16	Bolted
C29021AX	290	21.00	195.50	164.00	5.47	177.80	6.40	12	47	10	Bolted
C29025AX	290	25.40	180.30	152.90	6.20	165.10	6.40	8	55	13	Bolted
C29028AX	290	28.00	180.00	153.00	6.00	165.00	6.00	8	55	16	Bolted
C29525AX	295	25.40	193.00	164.00	6.00	177.80	6.40	12	51	13	Bolted
C29525BX	295	25.40	193.00	164.30	6.00	177.80	6.40	12	51	13	Bolted



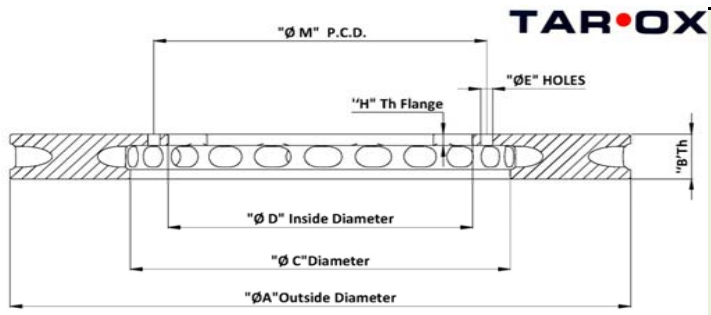
TAROX

PART NUMBER	"Ø A" Outside Diameter	"B"Th	"Ø C" Diameter	"Ø D" Inside Diameter	"H" Th Flange	"Ø M" P.C.D.	"Ø E" HOLES	N° HOLES	F Max Pad Depth	AIR GAP	Fixing type
C29525CX	295	25.40	204.00	164.00	5.50	177.80	6.40	12	46	14	Bolted
C29528AX	295	28.00	193.00	164.00	5.50	177.80	6.40	12	51	17	Bolted
C29528BX	295	28.00	195.10	164.30	6.00	177.80	6.40	12	50	16	Bolted
C29528CX	295	28.00	192.40	154.00	5.50	177.80	9.50	12	51	17	Bolted
C29532AX	295	32.00	193.40	153.00	6.50	177.80	6.50	10	51	19	Bolted
C29532BX	295	32.00	193.40	153.00	6.50	177.80	9.50	10	51	19	Bolted
C30024AX	300	24.00	204.50	172.00	5.00	189.00	6.40	8	48	14	Bolted
C30024BX	300	25.40	205.50	173.50	4.50	190.00	6.40	8	47	16	Bolted
C30025CX	300	25.40	213.50	181.50	6.50	196.20	6.40	12	43	12	Bolted
C30028AX	300	28.00	203.20	164.00	5.50	177.80	6.40	12	48	17	Bolted
C30028BX	300	28.00	197.00	154.00	5.50	177.80	8.00	12	52	17	Bolted
C30034AX	300	34.00	200.00	161.50	6.50	179.00	6.40	12	50	21	Bolted
C30421AX	304	21.00	195.00	164.00	5.50	177.80	6.40	12	55	10	Bolted
C30424AX	304	24.00	209.50	172.00	5.50	190.50	6.40	12	47	13	Bolted
C30425AX	304	25.40	195.00	152.50	5.00	177.80	8.00	12	55	15	Bolted
C30425BX	304	25.40	201.00	161.00	5.50	177.80	6.35	12	52	14	Bolted
C30425CX	304	25.40	203.20	164.00	6.50	177.80	6.40	12	50	12	Bolted
C30425DX	304	25.40	203.20	164.50	5.00	177.80	6.40	12	50	15	Bolted
C30425EX	304	25.40	203.20	164.00	5.00	177.80	6.40	12	50	15	Bolted
C30428AX	304	28.00	203.20	164.30	5.50	177.80	6.40	12	50	17	Bolted
C30428BX	304	25.40	205.50	177.50	5.00	191.00	6.40	12	49	15	Bolted
C30428CX	304	28.00	210.60	174.00	5.50	190.50	6.40	12	47	17	Bolted
C30428DX	304	28.00	201.50	161.00	6.50	177.80	6.40	12	51	15	Bolted



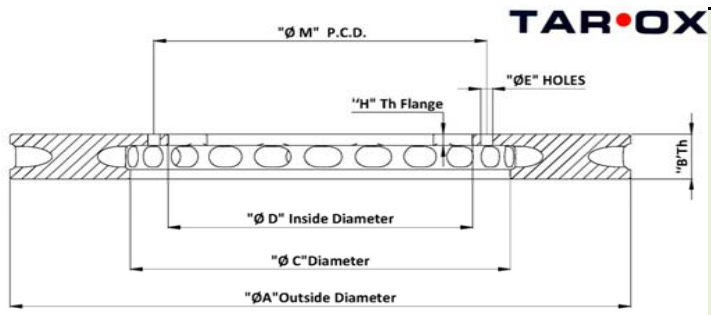
TAROX

PART NUMBER	"Ø A" Outside Diameter	"B" Th	"Ø C" Diameter	"Ø D" Inside Diameter	"H" Th Flange	"Ø M" P.C.D.	"Ø E" HOLES	N° HOLES	F Max Pad Depth	AIR GAP	Fixing type
C30428EX	304	28.00	203.00	170.00	6.57	188.00	6.40	12	51	15	Bolted
C30428FX	304	28.00	209.50	174.00	5.50	191.00	6.40	12	47	17	Bolted
C30430AX	305	30.00	191.00	158.00	5.50	172.00	6.40	12	57	19	Bolted
C30432AX	305	32.00	191.00	164.30	6.50	177.80	6.40	12	57	19	Bolted
C31025AX	310	25.40	210.00	176.00	5.50	190.50	6.50	12	50	14	Bolted
C31028AX	310	28.00	210.00	176.00	5.50	190.50	6.40	12	50	17	Bolted
C31028BX	310	28.00	211.50	174.00	6.50	190.50	6.40	12	49	15	Bolted
C31028CX	310	28.00	220.00	190.00	5.50	203.20	6.40	12	45	17	Bolted
C31030AX	310	30.00	210.00	163.10	6.50	177.80	6.40	12	50	17	Bolted
C31032AX	310	32.00	206.90	163.00	6.30	177.80	6.40	8	52	19	Bolted
C31525AX	315	25.40	220.00	190.00	6.00	203.20	6.40	12	48	13	Bolted
C31525BX	315	25.40	210.50	172.03	5.50	190.50	6.40	12	52	14	Bolted
C31525CX	315	25.40	195.00	164.50	5.50	177.80	6.40	12	60	14	Bolted
C31528AX	315	28.00	195.00	164.00	6.00	177.80	6.40	12	60	16	Bolted
C31528BX	315	28.00	195.00	164.50	6.50	177.80	6.40	12	60	15	Bolted
C31528CX	315	28.00	210.50	164.00	6.00	177.80	6.40	12	52	16	Bolted
C31528DX	315	28.00	210.50	164.00	6.00	177.80	6.40	12	52	16	Bolted
C31528EX	315	28.00	210.50	174.00	6.57	190.50	6.40	12	52	15	Bolted
C31528FX	315	28.00	220.00	190.00	5.50	203.20	6.40	12	48	17	Bolted
C31530AX	315	30.00	220.00	190.00	5.50	203.20	6.40	12	48	19	Bolted
C31532AX	315	32.00	210.00	164.00	6.50	177.80	6.40	12	53	19	Bolted
C32028AX	320	28.00	217.50	177.50	6.00	191.00	6.40	12	51	16	Bolted
C32028BX	320	28.00	217.50	190.00	5.50	203.20	6.40	12	51	17	Bolted



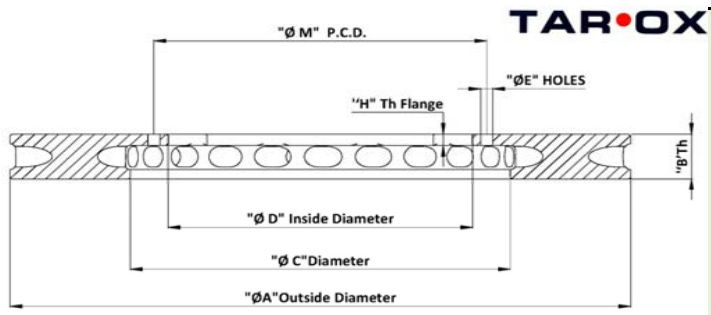
TAROX

PART NUMBER	"Ø A" Outside Diameter	"B" Th	"Ø C" Diameter	"Ø D" Inside Diameter	"H" Th Flange	"Ø M" P.C.D.	"Ø E" HOLES	N° HOLES	F Max Pad Depth	AIR GAP	Fixing type
C32032AX	320	32.00	217.50	190.00	5.50	203.20	6.40	12	51	21	Bolted
C32528AX	325	28.00	222.00	187.00	6.50	203.20	6.40	12	52	15	Bolted
C32530AX	325	30.00	218.00	174.00	6.50	198.00	9.50	10	54	17	Bolted
C32532AX	325	32.00	218.00	174.00	6.50	198.00	9.50	10	54	19	Bolted
C32536AX	325	36.00	218.00	174.00	6.50	198.00	9.50	10	54	23	Bolted
C32828AX	328	28.00	222.00	190.00	6.00	203.20	6.40	12	53	16	Bolted
C32828BX	328	28.00	222.00	190.00	5.50	203.20	6.40	12	53	17	Bolted
C32830AX	328	30.00	222.00	190.00	6.50	203.20	6.40	12	53	17	Bolted
C32830BX	328	32.00	233.00	192.00	6.30	217.00	8.00	8	48	19	Bolted
C32832AX	328	32.00	233.00	192.00	6.50	218.00	9.50	8	48	19	Bolted
C32836AX	328	36.00	200.90	160.00	6.50	184.15	9.50	10	64	23	Bolted
C32842AX	328	42.00	200.90	160.00	6.50	184.10	9.50	10	64	29	Bolted
C33025AX	330	25.40	228.00	196.00	5.50	212.00	6.40	12	51	14	Bolted
C33025BX	330	25.40	233.00	201.50	5.50	214.20	6.40	12	49	14	Bolted
C33025CX	330	26.00	227.00	183.00	5.50	200.00	6.40	12	52	15	Bolted
C33025DX	330	25.40	239.00	206.00	5.50	220.50	6.40	12	46	14	Bolted
C33026AX	330	26.00	225.00	184.00	5.50	203.20	6.40	12	53	15	Bolted
C33028AX	330	28.00	220.00	190.00	5.50	203.20	6.40	12	55	17	Bolted
C33028BX	330	28.00	227.50	185.00	5.00	203.20	6.40	12	51	18	Bolted
C33028CX	330	28.00	230.00	190.00	5.50	203.20	6.40	12	50	17	Bolted
C33030AX	330	30.00	230.00	190.00	5.50	203.20	6.40	12	50	19	Bolted
C33030BX	330	30.00	217.00	172.00	5.50	190.50	6.40	12	57	19	Bolted
C33032AX	330	32.00	220.00	190.00	6.50	203.20	6.40	12	55	19	Bolted



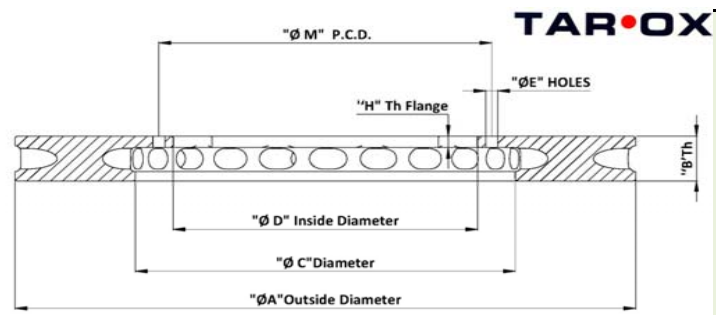
TAROX

<i>PART NUMBER</i>	<i>"Ø A" Outside Diameter</i>	<i>"B"Th</i>	<i>"Ø C" Diameter</i>	<i>"Ø D" Inside Diameter</i>	<i>"H" Th Flange</i>	<i>"Ø M" P.C.D.</i>	<i>"Ø E" HOLES</i>	<i>N° HOLES</i>	<i>F Max Pad Depth</i>	<i>AIR GAP</i>	<i>Fixing type</i>
C33032BX	330	32.00	228.00	188.00	5.50	203.20	6.40	12	51	21	Bolted
C33032CX	330	32.00	227.50	190.00	6.50	203.20	6.40	12	51	19	Bolted
C33032DX	330	32.00	227.00	178.00	5.50	203.20	9.50	12	52	21	Bolted
C33032EX	330	32.00	226.00	179.00	5.50	203.20	9.50	12	52	21	Bolted
C33036AX	330	36.00	219.50	190.00	6.50	203.20	6.40	12	55	23	Bolted
C33232AX	332	32.00	216.80	190.00	5.50	203.20	6.40	12	58	21	Bolted
C34328AX	343	28.00	240.60	212.00	5.50	228.60	6.40	12	51	17	Bolted
C34328BX	343	28.00	246.00	208.00	5.50	228.60	9.50	12	49	17	Bolted
C34328CX	343	28.00	237.50	198.00	6.50	216.00	6.40	12	53	15	Bolted
C34332AX	343	32.00	230.00	201.00	5.50	216.00	6.40	12	57	21	Bolted
C34332BX	343	32.00	236.00	190.50	5.50	215.90	9.50	12	54	21	Bolted
C34332CX	343	32.00	249.00	208.00	5.50	228.60	6.40	12	47	21	Bolted
C34336AX	343	36.00	233.00	196.00	7.50	216.00	6.40	12	55	21	Bolted
C35528AX	355	28.00	261.50	233.00	5.50	247.60	6.40	12	47	17	Bolted
C35532AX	355	32.00	248.00	217.00	8.00	233.00	9.50	10	54	16	Bolted
C35532BX	355	32.00	244.00	195.00	6.50	215.90	6.40	12	56	19	Bolted
C35628AX	356	28.00	238.50	212.00	5.50	228.60	6.40	12	59	17	Bolted
C35628BX	356	28.00	261.60	214.00	5.50	228.60	6.40	12	47	17	Bolted
C35628CX	356	28.00	251.60	202.60	5.00	228.60	9.50	12	52	18	Bolted
C35628DX	356	28.00	252.60	220.00	5.00	240.00	6.40	12	52	18	Bolted
C35632AX	356	32.00	248.00	192.10	5.50	217.60	9.50	12	54	21	Bolted
C35632BX	356	32.00	244.60	202.80	5.50	228.60	9.50	12	56	21	Bolted
C35632CX	356	32.00	245.00	214.00	5.50	228.60	6.40	12	56	21	Bolted



TAROX

PART NUMBER	"Ø A" Outside Diameter	"B" Th	"Ø C" Diameter	"Ø D" Inside Diameter	"H" Th Flange	"Ø M" P.C.D.	"Ø E" HOLES	N° HOLES	F Max Pad Depth	AIR GAP	Fixing type
C35632DX	356	32.00	251.00	214.00	5.00	228.60	6.40	12	53	22	Bolted
C35632EX	356	32.00	251.60	202.60	5.50	228.60	6.40	12	52	21	Bolted
C35632FX	356	32.00	261.60	225.50	5.50	240.00	6.40	12	47	21	Bolted
C35632GX	356	32.00	258.00	215.00	5.00	240.00	9.50	12	49	22	Bolted
C35636AX	356	36.00	244.50	214.00	6.50	228.60	6.40	12	56	23	Bolted
C35636BX	356	36.00	245.00	208.00	6.40	228.60	6.40	12	56	23	Bolted
C35636DX	356	36.00	245.00	214.00	6.50	228.60	6.40	12	56	23	Bolted
C36232AX	362	32.00	238.00	195.00	6.50	216.00	6.40	12	62	19	Bolted
C36232BX	362	32.00	251.40	208.00	6.50	228.60	6.40	12	55	19	Bolted
C36232CX	362	32.00	247.00	208.00	6.00	228.60	6.40	12	58	20	Bolted
C36232DX	362	32.00	251.50	208.00	6.50	228.60	6.40	12	55	19	Bolted
C36232EX	362	32.00	251.00	195.00	6.50	216.00	6.40	12	56	19	Bolted
C36632AX	366	32.00	268.00	224.00	6.40	240.00	6.40	12	49	19	Bolted
C37036AX	370	36.00	252.00	224.00	6.50	241.30	6.40	12	59	23	Bolted
C37535AX	375	35.00	261.00	221.00	8.00	245.00	9.50	10	57	19	Bolted
C37535BX	375	36.00	257.00	231.00	6.50	247.60	6.40	12	59	23	Bolted
C37536AX	375	36.00	257.00	225.00	6.50	241.30	6.40	12	59	23	Bolted
C37536BX	375	36.00	257.00	231.00	6.50	247.60	6.40	12	59	23	Bolted
C37536CX	375	36.00	269.70	245.00	6.50	260.40	6.40	12	53	23	Bolted
C37828AX	378	28.00	282.00	244.00	6.00	260.30	6.40	12	48	16	Bolted
C37832AX	378	32.00	250.00	218.00	7.00	235.80	8.00	10	64	18	Bolted
C37832BX	378	32.00	250.00	220.00	7.00	235.80	8.00	10	64	18	Bolted
C37832CX	378	32.00	266.80	215.00	5.50	240.00	9.50	12	56	21	Bolted



TAROX

PART NUMBER	" $\varnothing A$ " Outside Diameter	"B"Th	" $\varnothing C$ " Diameter	" $\varnothing D$ " Inside Diameter	"H" Th Flange	" $\varnothing M$ " P.C.D.	" $\varnothing E$ " HOLES	N° HOLES	F Max Pad Depth	AIR GAP	Fixing type
C37832DX	378	32.00	282.50	243.50	6.00	260.40	6.40	12	48	20	Bolted
C39032AX	390	32.00	269.00	243.00	6.50	260.00	6.40	12	61	19	Bolted
C39034AX	390	34.00	269.00	243.00	6.00	260.00	6.40	12	61	22	Bolted
C39034BX	390	34.00	279.00	243.00	6.00	260.00	6.40	12	56	22	Bolted
C39036AX	390	36.00	269.00	243.00	6.50	260.00	6.40	12	61	23	Bolted
C40032AX	400	32.00	280.00	239.00	6.50	266.00	6.40	12	60	19	Bolted
C40036AX	400	36.00	288.50	253.00	7.00	270.00	6.40	12	56	22	Bolted
C41036AX	410	36.00	266.00	225.50	8.00	245.50	8.00	12	72	20	Bolted